

PYROSELF

**An innovative Snow Melting Control system
The ultimate "All in One" Snow Sensor & controller
for Light commercial and residential use**



**For use with a high demand heating system on a regular or limited power supply source
Modular: up to 2 contactors of 24A each, 110-240VAC**

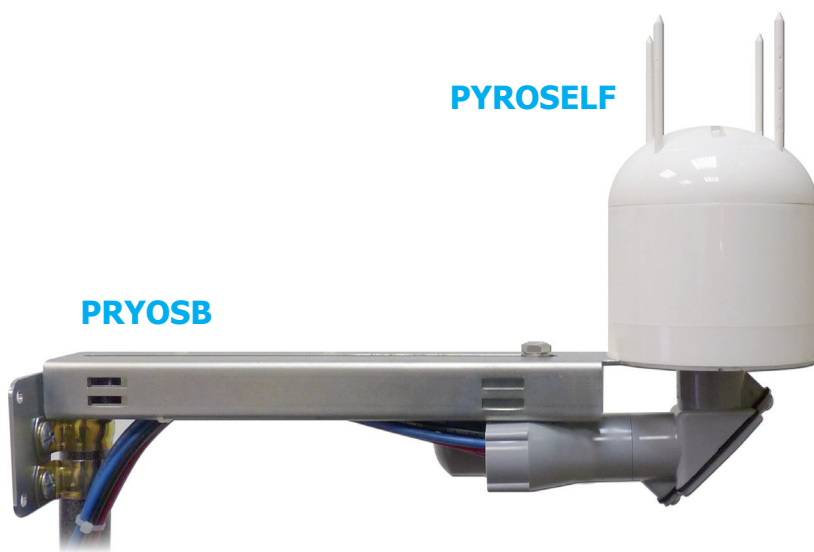
Fully automated operation

Easy configuration by hand held remote control

Optional indoor wall control interface unit

- ☑ Adjustable temperature settings (°C & °F)
- ☑ Variable delay time (Hold ON and OFF Time)
- ☑ User friendly programming and setting
- ☑ Adjustment using remote control with large LCD display
- ☑ Adjustable cycle time between zones while staggering
- ☑ 2 Zones control - operating together or staggering
- ☑ Easy and simple 6 wires installation
- ☑ Logical and remote access for installers during set up, commissioning & service
- ☑ Non obtrusive adjustable snow sensor wall bracket
- ☑ Suitable for all electrical frost protection systems & Apps
- ☑ Automatic/Manual/Off mode selection by switch or by remote control
- ☑ 4 vertical spikes to prevent birds nesting

Item	Part #	Description
Sensor & control	PYROSELF	Snow sensor and controller for Snow/Ice melting
Remote control	RT_PYRO	Operation and technical settings interface
Mounting bracket	PYROSB	Wall mounted, adjusted metal fixture
Indoor wall unit	IRP_PYRO	Indoor control interface unit
Extension cable	PYRO_XC10	Extension cable (10m) for indoor unit (low voltage)



PYROSELF



RT_PYRO



IRP_PYRO

PYRO_XC10

PYROSELF

SPECIFICATIONS

General

Area of use Nonhazardous locations outdoor use.
Approvals UL (E471283) listed

Temperature Sensor (internal)

Adjustable S.P. range 14°F to 50°F (-10°C to +15°C)
Sensor type Sealed Thermistor (NTC)

Control

Supply 110-240VAC 50/60 HZ
Load Load switching – 2 X 24A
Max. Ratings Voltage 240 VAC. Current: 48 Amps
Heater hold-on timer 0 to 300 minutes - adjustable
System test Manual Switching from the remote control,
For testing and commissioning mode
operation status Indication 3 Leds (Green, Red, Yellow)

Remote Control RT_PYRO

Display LCD
Power 2 x AAA Batteries
Mounting Wall plastic holder (included)

Indoor wall unit IRP_PYRO

Type Wall mounted
Power supply 24V (From the PYROSELF)

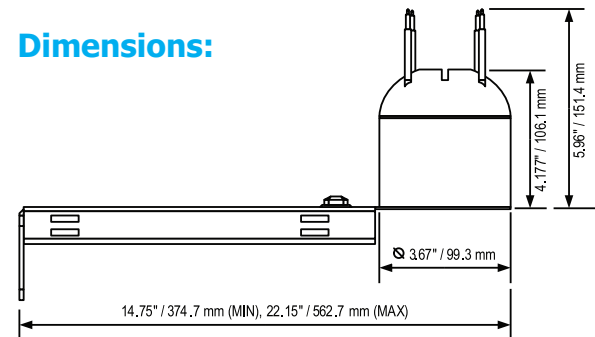
Extension Cable PYRO_XCIO

Length 10m
Type 6 wires, isolated

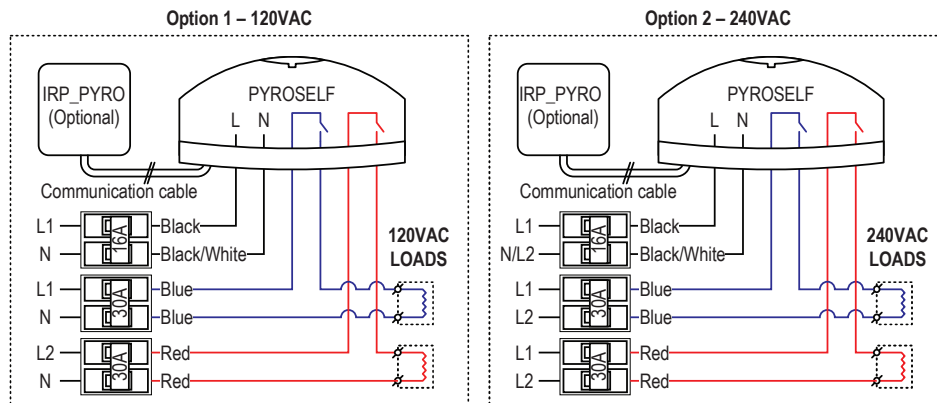
Enclosure

Water & Dust NEMA Type 4 (IP67) for residential type
Mounting Wall mounted using the PYROSB
or aerial on a pole using 3/4" conduit
4 spikes Rejects bird nesting
Material Polycarbonate

Dimensions:



Schematic Diagram



Distributed by:

