



CEO-24-HC22



Programmable thermostat with “call-out” telephone capabilities and voice options.

General

The CEO-24-HC22 thermostat is the latest in room control technology and is ideal for residential and commercial applications.

With built-in telephone communication capabilities, *the CEO-24-HC22 calls the user in case of an alarm situation.* The user can then change settings such as mode, set point, etc. from a remote location.

This offers the user peace of mind as never before, making the CEO-24-HC22 indispensable to everyone!

Features

- Main supply- 24Vac
- Telephone communication:
 - > **thermostat calls-out to user in case of alarm situation**
 - > up to 3 numbers can be programmed to be called in case of alarm
 - > thermostat re-dials every 2 minutes in case of busy signal
 - > call thermostat from remote location check or set mode and temperature from a remote location by calling thermostat
- Up to 2 stages of Heat and 2 stages of Cool
- Selectable Heat output- Electric or Oil/Gas (jumper selectable)
- External sensor- option
- Alarm indication output
- Fault input, 24Vac
- 5-1-1 weekly program
- Economy mode (set-back/unoccupied mode)

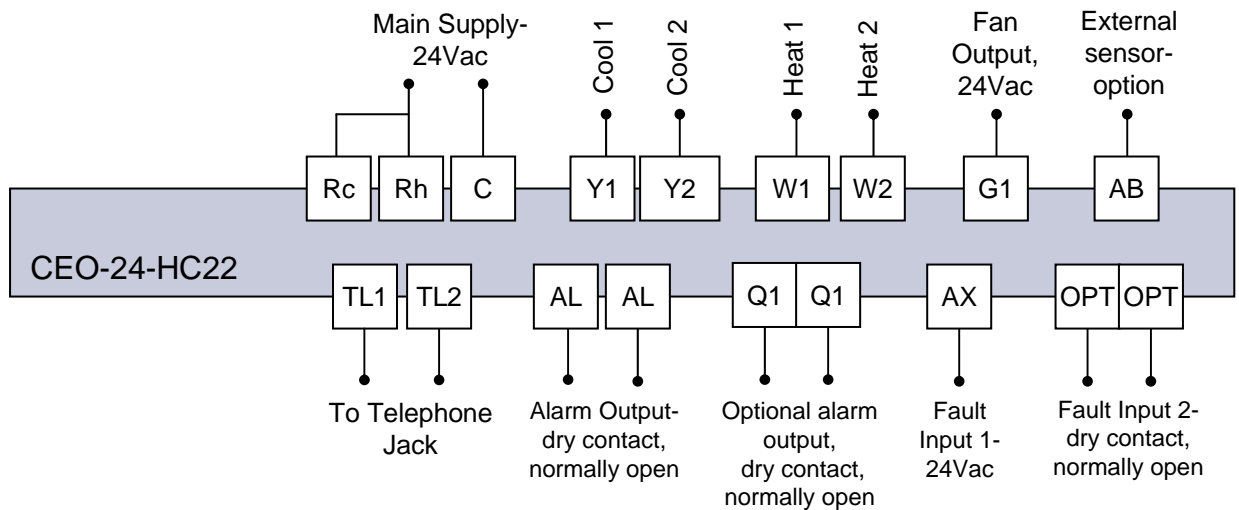
Models

Model	Cool	Heat	Speeds
CEO 24-HC11	1	1	1
CEO 24-HC22	2	2	1

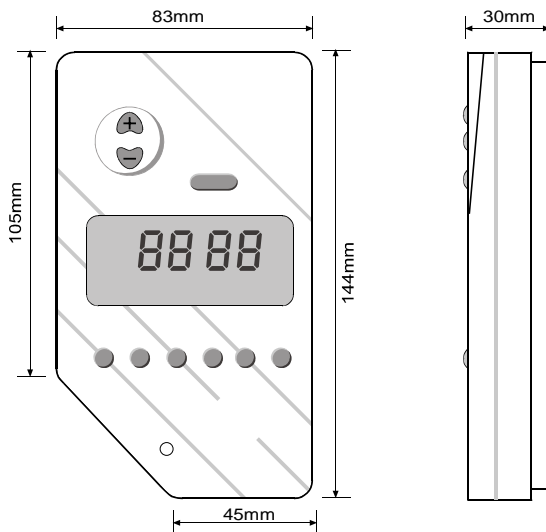
* All models available in either °C or °F



Electrical Diagram



Dimensions



Specifications

Temperature Range	45°F -95°F, 5°F -35°C
Weight	0.55 lbs
Scale	°F, °C
Color	White
Accuracy	±1.5°F
Plastic	PC/ABS
Flammability	UL94V-0
Temperature Input	Thermistor 50K@77°F

Accessories

Part Number	Description
TS01	Temperature Sensor - 80 cm Cable
RS01	Temperature Sensor into decorative box
RS02	Average Temperature Sensor into decorative box
WP2	Decorative Plastic Back Plate
WP3	Decorative Plastic Back Plate - Wide