



FMT-24-AZC



Flush-mount, stand alone damper controller with proportional output.

General

The FMT-24-AZC is best Stand Alone damper controller with proportional output.

This thermostat can control all standard, general purpose dampers- 3 wire, 24Vac, and the Open / Close time is adjustable by the user.

The FMT-24-AZC also has a special option to connect a duct temperature sensor, which senses the airflow temperature and automatically selects the mode (Auto-Changeover).

Features

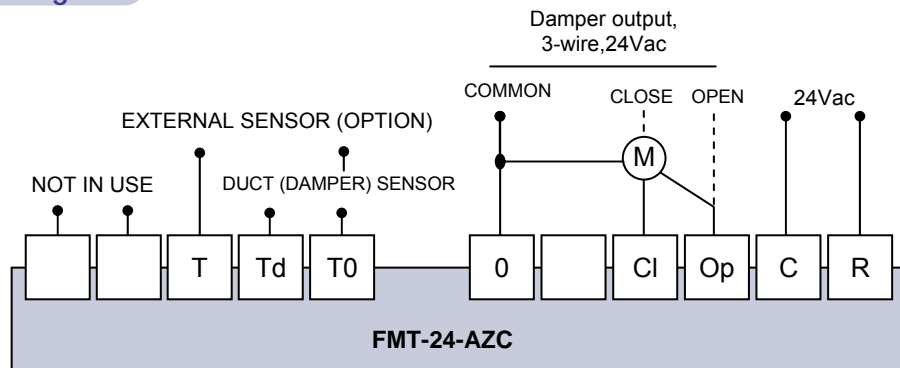
- Flush-mount - 24Vac thermostat
 - Two different temperature scales: Fahrenheit or Celsius
 - External Sensor - Option
 - Offset for temperature reading adjustment
 - Set point limits for cooling and heating
 - Lock thermostat function
 - Adjustable open/close time for motor
 - Proportional output for dampers – 24Vac, 3-wire
 - Duct sensor for Auto-Changeover mode-option
- LOGIC** (adjustable): (see Special Mode Logic below):
- Less than 21°C(70 °F) – Cool Mode
 - More than 23 °C(74 °F) – Heat Mode

Special MODE logic

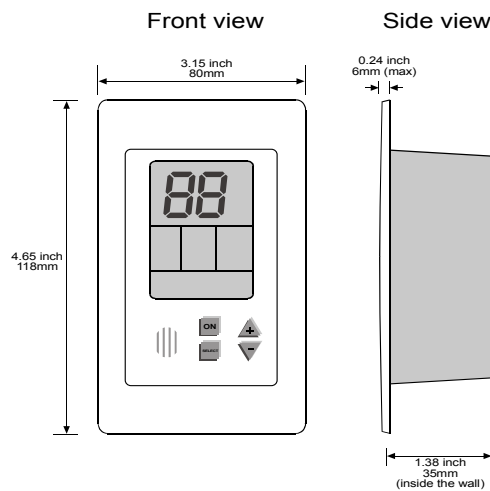
1. **When the DUCT sensor is connected, the mode will always be determined by the airflow temperature sensed, regardless of the mode manually selected.**
Example: If the thermostat mode is in Cool and the duct sensor senses Heat, the damper will be closed.
2. **In Auto-Changeover mode, the mode is determined by the duct sensor based on the following logic (the logic IS adjustable):**
 - Less than 21°C(70 °F) – Cool Mode
 - More than 23 °C(74 °F) – Heat Mode
3. **When the Duct sensor is not connected, the thermostat mode (Cool-Heat), must be manually selected.**



Electrical Diagram



Dimensions



Specifications

Temperature Range	10° - 30°C / 50 °F - 86 °F
Weight	0.125 Kg / 0.3 Lbs
Scale	°C / °F
Color	White
Accuracy	±1°C/ ±1.5°F
Plastic	PC/ABS
Flammability	UL94V-0
Temperature Input	50K@25°C / 77 °F

Accessories

Part Number	Description
TS01	Temperature Sensor - 80 cm Cable
RS01	Temperature Sensor into decorative box
RS02	Average Temperature Sensor into decorative box
RT41	Hand Held Remote Control
WP4	Decorative Back Plate for FMT